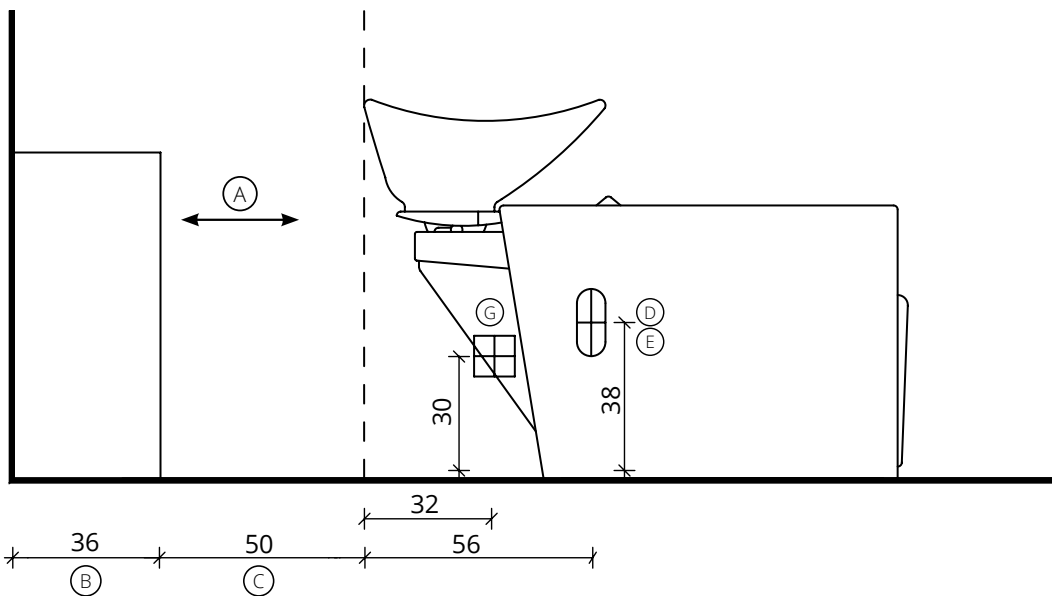


Fissaggio Pavimento
Pavement Fixing

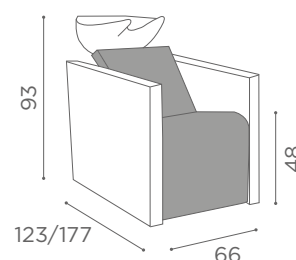


Fissaggio Muro
Wall Fixing

- | | | |
|-----------------------------------------------------------------------------------------------------------------------------------------------------------------------------------------------------------------------------------------------------------------------------------------------|------------------------------------------------------------------------------------------------------------------------------------------------------------------------------------------------------------------------------------------------------|----------------------------------------------------------------------------------------------------------------------------------------------------------------------------------------------------------------------------|
| <p>(A) Spazio di lavoro
Work space</p> <p>(B) 36 cm per il mobile 'Service Centre'
48 cm per il mobile 'Wall System'
39,5 cm per il mobile 'Camden'
36 cm for 'Service Centre' cabinet
48 cm for 'Wall System' cabinet
39,5 cm for 'Camden' cabinet</p> | <p>(C) Misura variabile (Non meno di 50 cm)
Variable measurement (No less than 50 cm)</p> <p>(D) Entrata tubo acqua calda e fredda
Hot and cold water inlet tube</p> <p>(E) Uscita tubo acqua
Water outlet tube</p> | <p>(F) Misura dal muro
Measurement from wall</p> <p>(G) Punto elettrico - 220V
Electric point - 220V</p> <p>(H) Carico acqua C-F 3/8" - Scarico ø40
Water Inlet H-C 3/8" - Outlet ø40</p> |
|-----------------------------------------------------------------------------------------------------------------------------------------------------------------------------------------------------------------------------------------------------------------------------------------------|------------------------------------------------------------------------------------------------------------------------------------------------------------------------------------------------------------------------------------------------------|----------------------------------------------------------------------------------------------------------------------------------------------------------------------------------------------------------------------------|



WU/770 - WU/771



COLOURS A ● B ○

